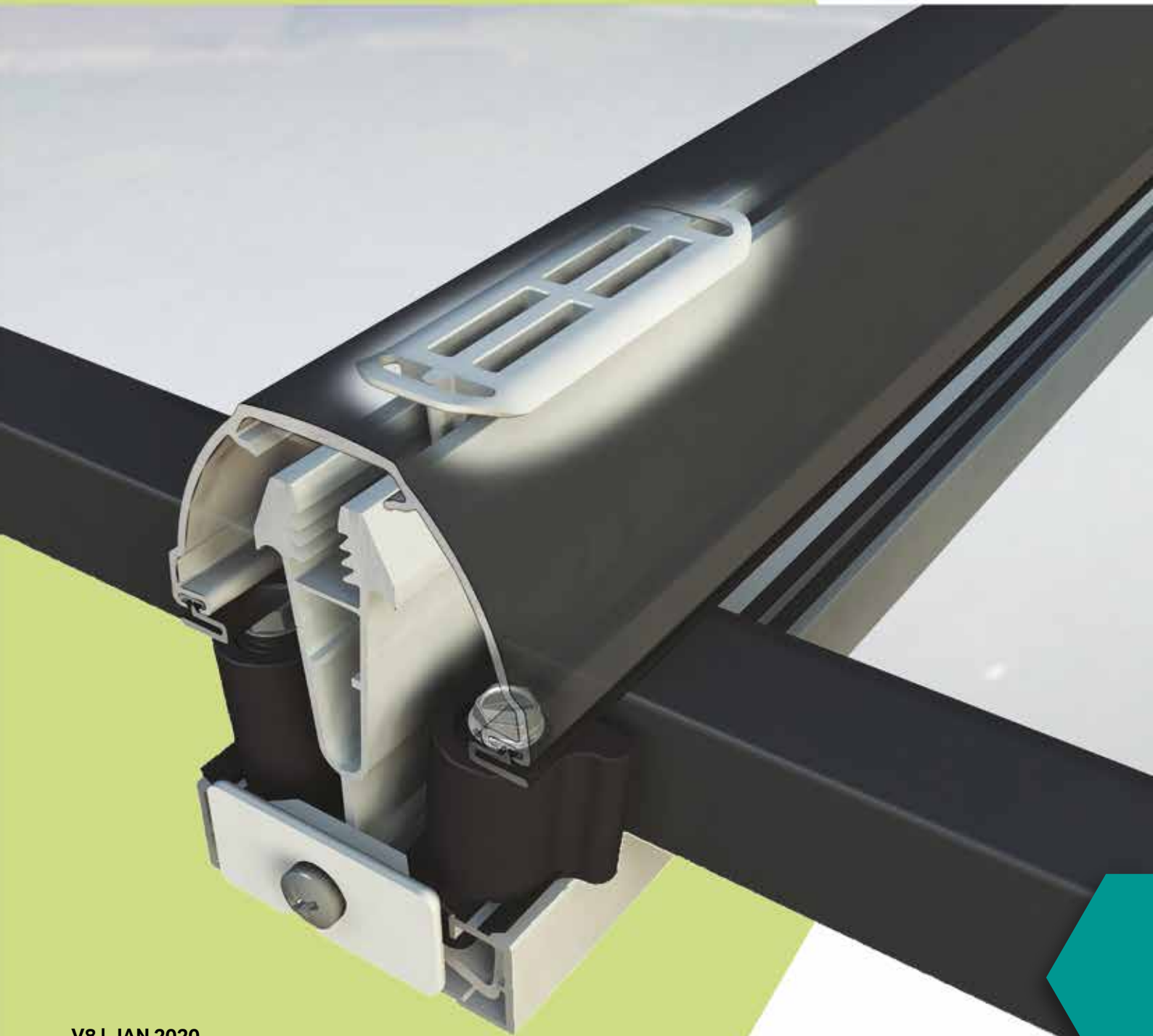


Ultraframe[®]
Transforming light and space



V8 | JAN 2020

GLASS ALUMINIUM ROOF INSTALLATION GUIDE

CONTENTS

Please read in conjunction with the main installation guide supplied in the roof



Handling aluminium products	page 3
Product identification	page 4
Installation of standard aluminium roof	pages 5-6
Jack rafters	page 7
Lean to cloaking trim	page 7
Removing the bar top cap	page 7
Aluminium muntin bar	page 8
Aluminium glazing end closure	page 8
Aluminium roof vent	page 9-10
	page 11

Cleaning and maintaining powder coated aluminium products
Guidance for homeowners and fitters

TECHNICAL SUPPORT

Tel: 01200 452918 Email: techsupport@ultraframe.co.uk
Please read in conjunction with the installation guide provided with the roof itself.

HANDLING ALUMINIUM PRODUCTS

PAINTED ALUMINIUM PRODUCTS - PLEASE NOTE

All paints will 'chalk' to some extent and there will be a reduction in gloss level over time.
(See Cleaning and Maintenance guidelines p11)

QUALITY EXPECTATIONS ON INSTALLATION.

Appearance: This is assessed based on the selection of the 'significant' (primary) surface.
From a distance of 3m, stand at an oblique angle of 60degree and then defects such as blisters, runs, pin holes etc should NOT be seen.

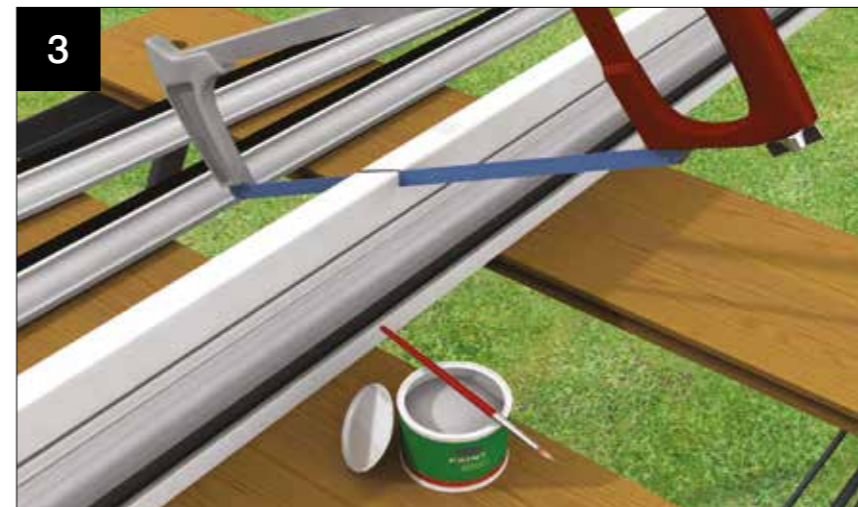
Colour and gloss: Viewed from 5m, the coating must be of even colour and gloss with good coverage.



If storing in warehouse racking or on frails/roof racks, take care to support the products and do not over tension straps and ropes. When opening sealed packs, use a special box knife opener.



Grease marks, dirt and mastic spillage may be removed using soapy water. Take care when fitting aluminium products to not use excessive force.



If site cutting is necessary (drainage slots need inserting or a down pipe hole has to be cut) ensure all swarf is kept away from the painted surface and then seal with a primer/corrosion inhibitor and then top coat. Alternatively, use a suitable gap sealant to prevent the onset of corrosion. These steps are critical in marine environments.

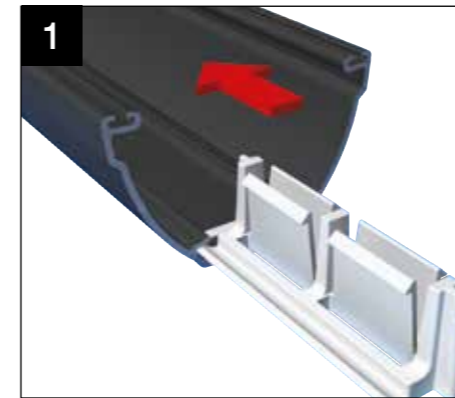
CAUTION- WHEN HANDLING ALUMINIUM PRODUCTS - USE PROTECTIVE HAND WEAR.

PRODUCT IDENTIFICATION

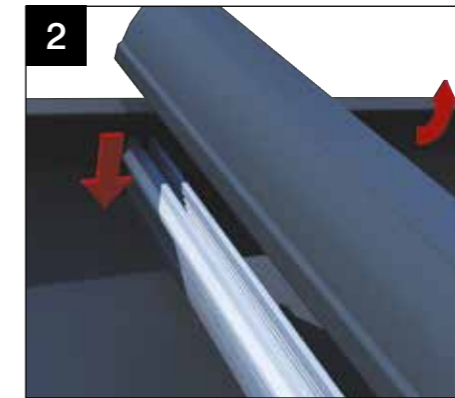
<p>Top capping clip LVCC001</p> 	<p>Aluminium Transom Top Cap ATC---/25</p> 	<p>Aluminium Transom Top Cap AOC---/25</p> 	<p>Aluminium Georgian Top Cap AGC---/25</p> 	
<p>Aluminium Starter Top Cap ASC---/25</p> 	<p>End profile AGP/25 AGP/25GR</p> 	<p>Aluminium Full Ridge Radius End Cover ACP001</p> 	<p>Aluminium Half Ridge Radius End Cover Left AHC001L</p> 	<p>Aluminium Half Ridge Radius End Cover Right AHC001R</p> 
<p>Aluminium Ball Finial ACF001</p> 	<p>Fixing - Finial adaptor M8x50 HD screw ACC002</p> 	<p>Radius end clamp washer ACP003</p> 	<p>Standard twin bolt and nuts SHBC001T</p> 	<p>Radius end flashing trim ACP004</p> 
<p>Muntin AMB/25 AMB/25GR</p> 	<p>Brush - half ridge radius end cover AHC002</p> 	<p>Brush - full ridge radius end cover ACP002</p> 	<p>Aluminium Ridge Top Cap ACP---/1</p> 	<p>Gasket AGS305</p> 
<p>Aluminium Half Ridge Top Cap AHC---/1</p> 	<p>Lean-to Cloaking Trim ALC---/1</p> 	<p>Aluminium low profile cresting ALP---/1</p> 	<p>Aluminium Finial ACC050</p> 	<p>Finial Adaptor ACC001</p> 

Protective film - Peel back and remove after installation. Safely dispose of the redundant film.

INSTALLATION OF STANDARD ALUMINIUM ROOF



THIS STAGE SHOULD HAVE BEEN PREPPED IN THE FACTORY. If not take the aluminium top caps and lay them onto a protected surface. Slide clips into each bar - position down from ridge / eaves at a max centre of 100mm and then at 500 centres (max) inbetween.



Lift the rain baffle leg and position top cap.



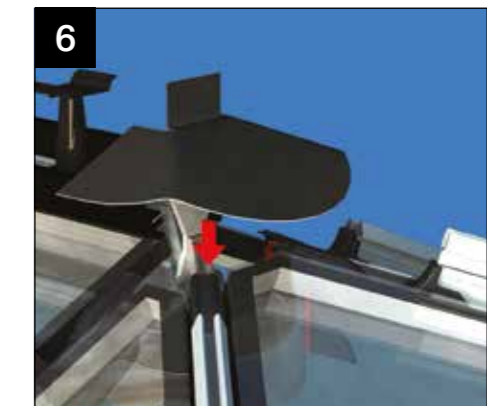
Using the heel of your hand push down on the top cap to engage clips, working from ridge to eaves. Each capping is numbered according to its position in the roof.



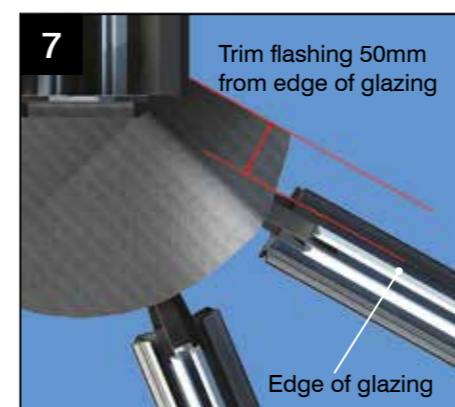
Drill a 6mm hole, then use the fixing provided (CRN010) to attach the top cap to the glazing bar. (Not required if using Cornice with wire ties)



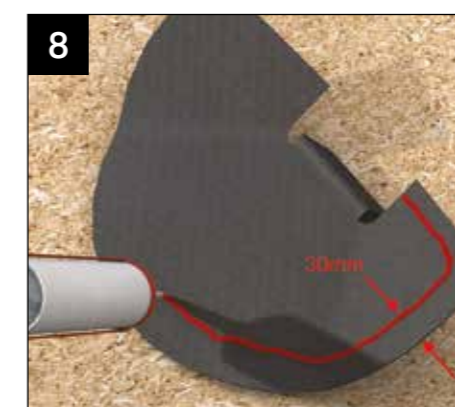
Fit the glazing bar end caps by sliding onto the plastic fixing blocks. Push fit the insert into the end cap.



Remove protective film then fold up tab on flashing trim. Place flashing on roof and form to shape. Mark trim lines (dependent on roof style).



Trim Flashing

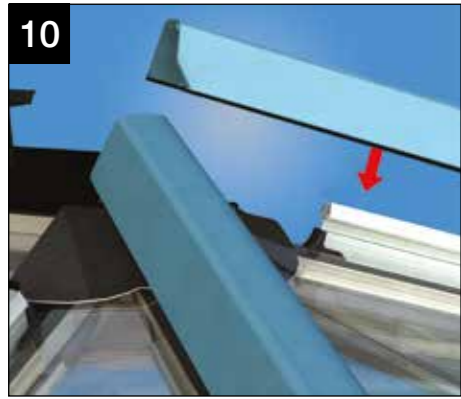


Apply Gutterbond supplied to underside of flashing.

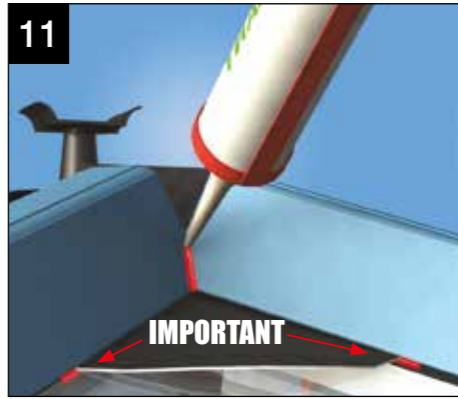


Fit flashing trim pushing firmly into place, ensuring intimate contact with glazing. Seal all interfaces between flashing and rain baffles.

INSTALLATION



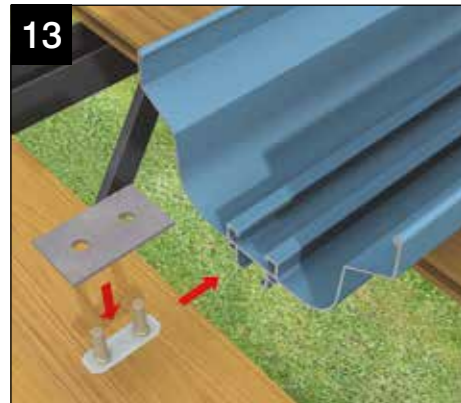
10 Install bar caps, securing flashing into place. Point around bar caps.



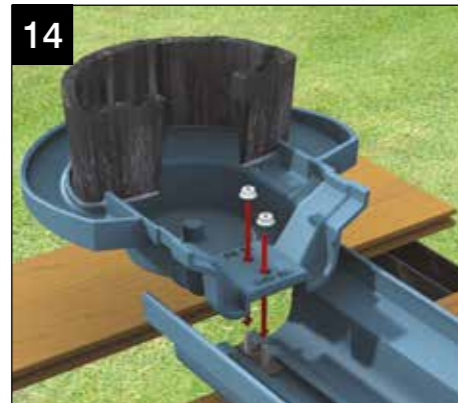
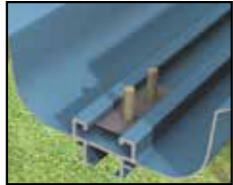
11 Discretely 'point' the junctions between the capping gaskets and radius end flashing as shown (use new uncut nozzle).



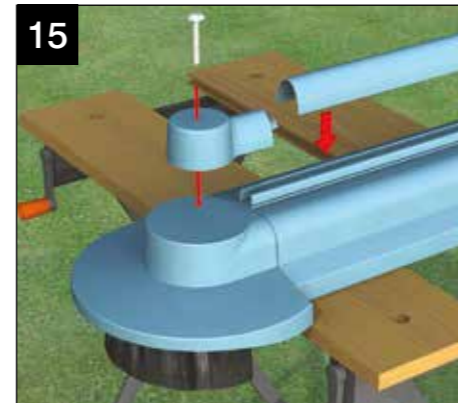
12 Fit radius brush.



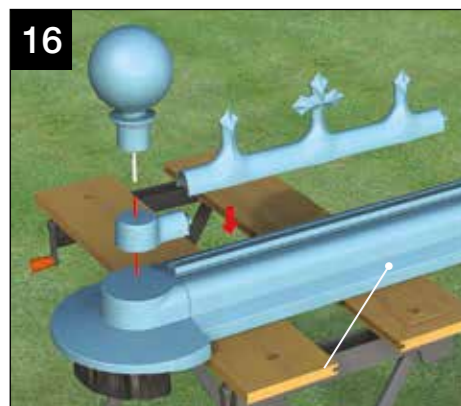
13 Assemble twin bolt and radius end clamp washer. Slide into ridge top cap.



14 Assemble and secure radius end to ridge top cap with spigot nuts supplied.



15 Low profile cresting. Assemble as shown.



16 Attach Ball finial as shown and decorative cresting.

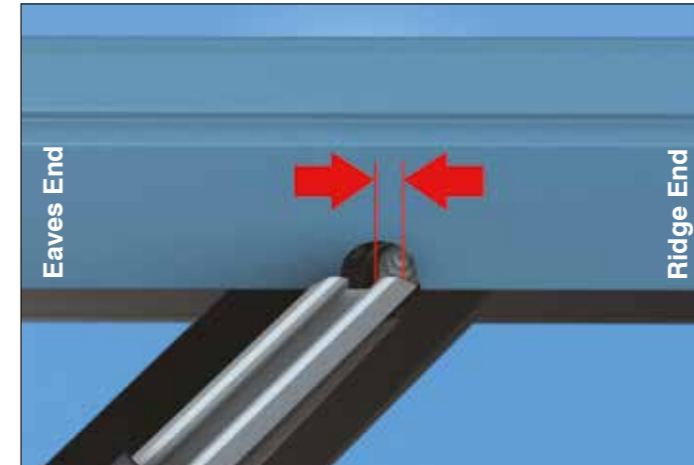


Half ridge end installation

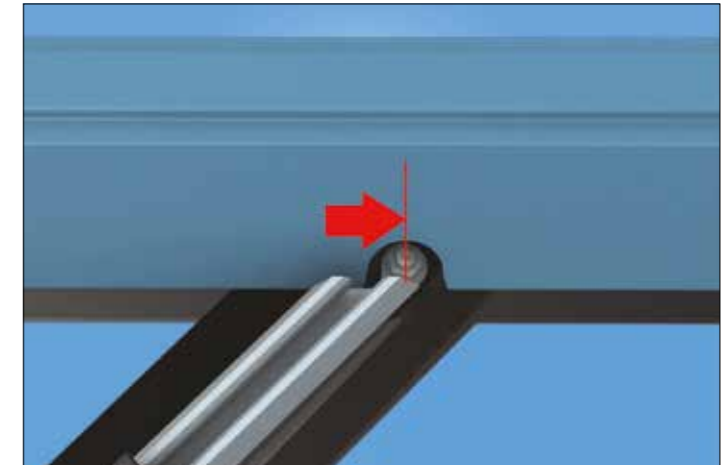
17 The half ridge end flashing detail should be folded as shown and fitted in a similar manner to that of the full ridge end.

INSTALLATION

Jack Rafter Situation

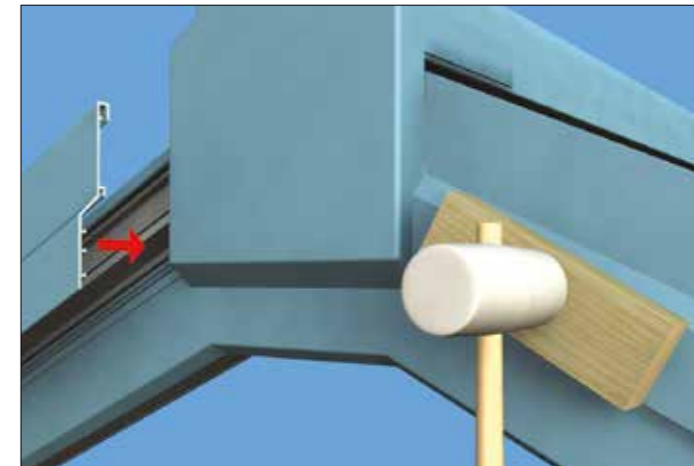


Position the glazing bar top cap so the cut out sits in the below the jack rafter fixing.



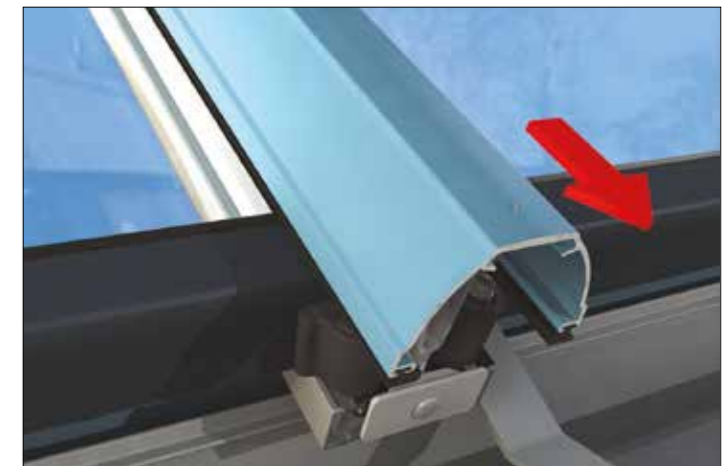
Tap the glazing bar top cap up until the cut out sits central to the jack rafter fixing.

Lean To Cloaking Trim Installation



Knock the lean to cloaking trim on with a deadblow hammer and timber block. It may require trimming at the eaves end - take care when trimming powder coated aluminium.

Removing The Glazing Bar Top Caps



Slide the end cap up and off the fixing block and unscrew the fixing at the end of the glazing bar and then lift with force to 'pop' capping off (reverse steps 1 - 3 on p5). There are 2 methods to release the top cap. Slide the glazing bar top cap down or alternatively, insert a broad flat head screw driver into the gap above the aluminium barbs and 'pop' top cap and using hands lift capping free of clips. One or more clips - LVCC001 - may be damaged during the process, spares are sent with each roof.

INSTALLATION

Aluminium Muntin Bar



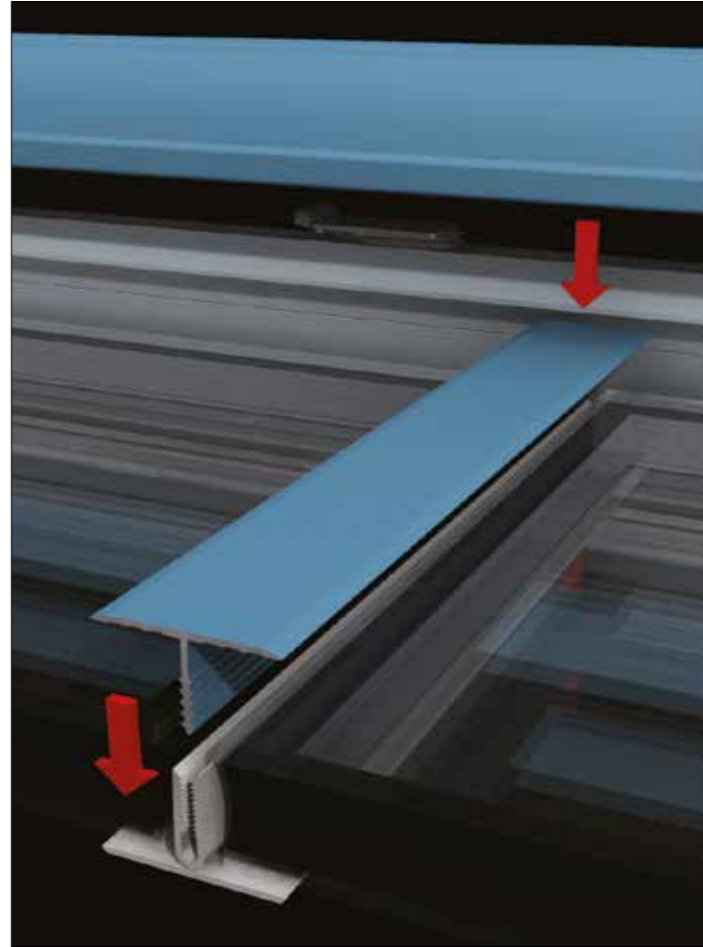
Take the muntin bar profile (top and bottom section) that matches its corresponding sealed unit. Take the lower PVC section and allow it to span between the two adjacent glazing bars. Lower into position the up slope sealed unit. **NOTE: MUNTIN SHOULD BE SAME WIDTH AS UNIT.**

Now take the upper aluminium section and lay it face down onto a smooth clean surface to protect its painted finish. Using the relevant sealant (MS Polymer sealant such as Rotabond 2000 must be used on self cleaning glass), apply a generous bead to each side.

Aluminium Glazing End Closure



Take the painted profile and protect its surface. Apply a bead of relevant sealant (MS polymer on self cleaning glass). Slide into position on sealed unit, wipe clean any sealant from surface of glass.

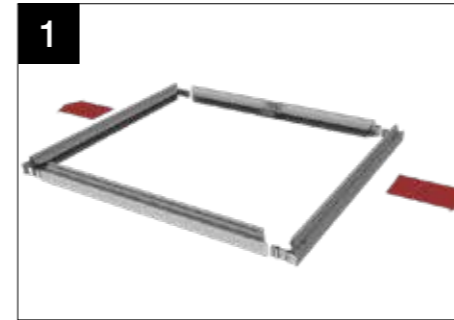


Now lift the sealed unit that goes on the lower slope into position, turn the upper profile over, place it into position and tap down the profile using a non marking plastic mallet. Wipe clean any sealant from the unit face. **NOTE: WE RECOMMEND A SECOND PERSON TO SUPPORT THE MUNTIN FROM THE UNDERSIDE WHEN TAPPING DOWN.**

Now, tap the glazing top cap into position, which will 'trap' the muntin profiles.

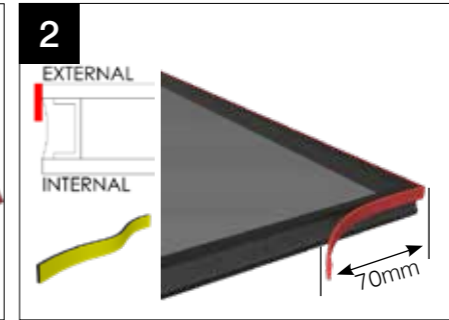
ROOF VENT

SECTION 2

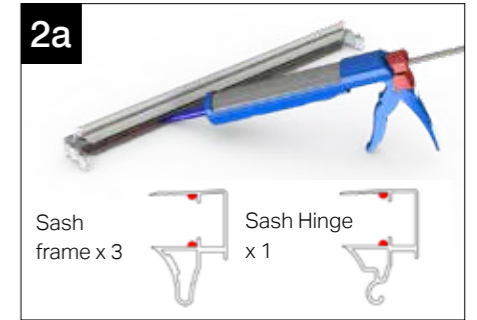


Unwrap the sash and pull two side sections out as shown above.

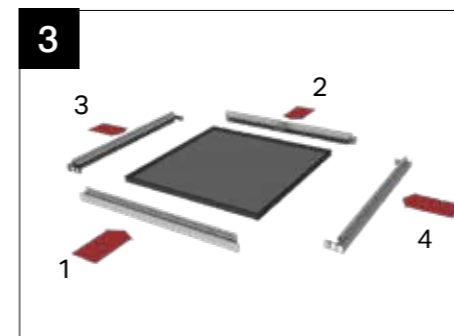
Remove any protective handling tape around the perimeter of the unit prior to installation.



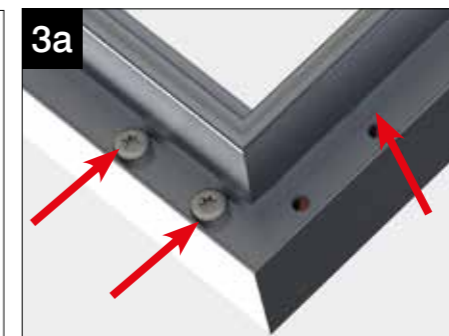
Apply length of foam tape directly to the lower edge of the outer pane of the glass unit as shown. Start by applying the tape 70mm up the side of the glass unit and continuing to wrap around the lower edge of the glass unit, finishing 70mm up the opposite side.



For pitches below 10° it is recommended that the glass is sealed in by running a bead of silicone along the length of each sash section as shown above. For pitches above 10° it is advisable to do the same.



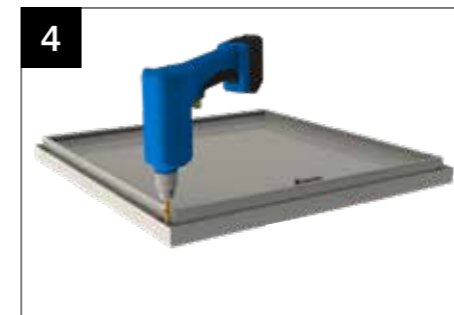
Once tape has been applied, assemble the sash in the sequence shown above and ensure the tape is directed against section 2.



If the pre-drilled holes appear out of alignment as shown above in red simply slacken off the factory fitted screws.



The two sections can then be readjusted so they are in line and square. Then the non factory fitted screws can be fixed down.



Finally re-fasten the factory fitted screws.

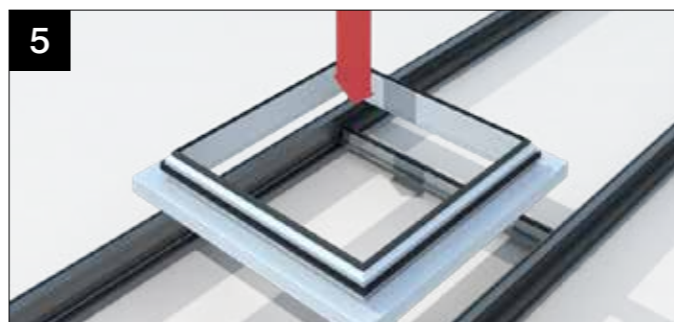


On the hinge side of the sash fill the hole shown above at either end with a blob of silicone.

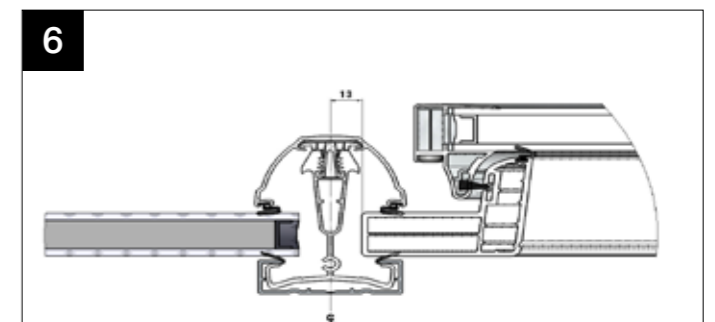
NOTE The roof vent has been successfully tested by the BBA at 25° up to 1200Pa without sealant.

VENT MAIN FRAME INTO ROOF

SECTION 3



Peel back any protective film prior to fitting. Fit upper glazed unit and internal muntin bar. Carefully lower the vent frame into position onto the internal upper muntin bar.

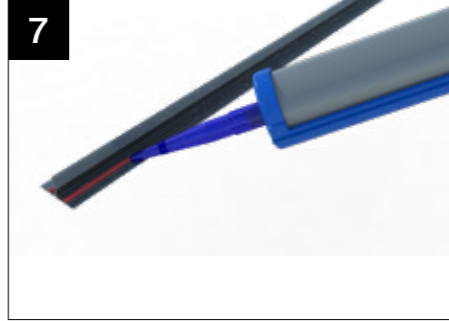


Ensure the vent is central between the transoms. As shown above there should be a 13mm gap between the bar centre and the frame. Use glazing packers if necessary.

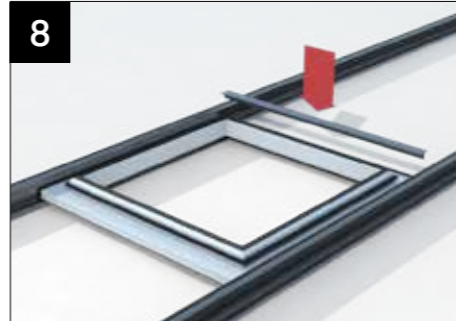
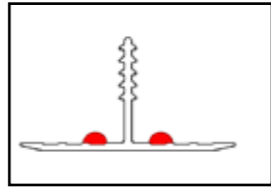
ROOF VENT



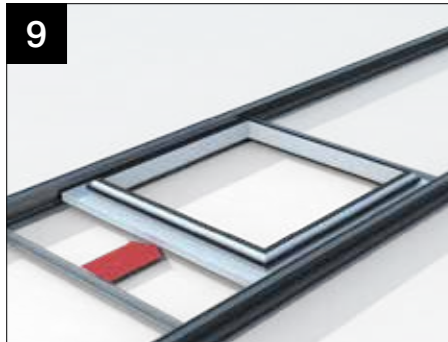
If existing glazing is 32/35mm a packer will have been pre-fitted to the frame.



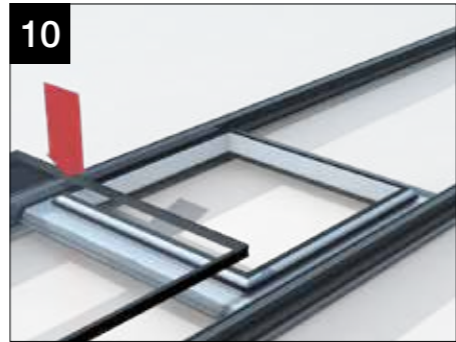
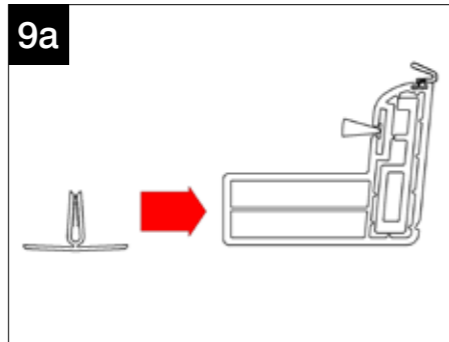
Run a bead of appropriate sealant ensuring a continuous run along the external upper muntin bar. Please see section view for bead positioning.



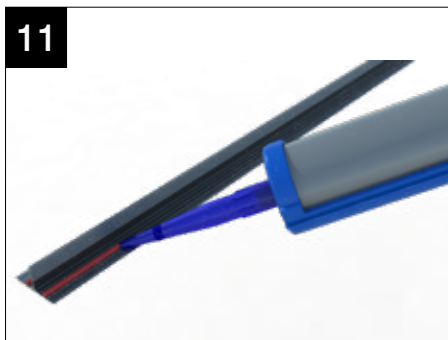
Locate the external upper muntin bar with the internal muntin bar, knock into place. The lower muntin may need to be supported from underneath whilst secure into final position.



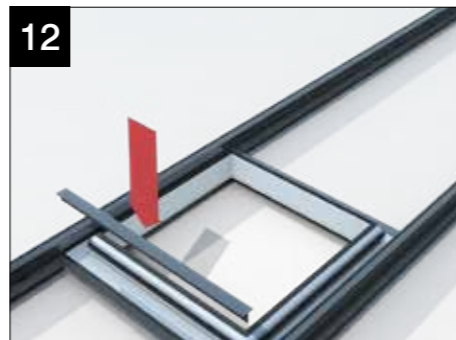
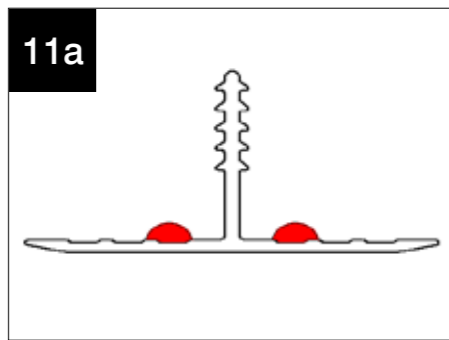
Slide the internal lower muntin bar into place under the vent frame. See cross section 9a for further detail.



Remove any handling tape around the perimeter of the unit. Take care lowering the glazed unit into position on the internal lower muntin bar.

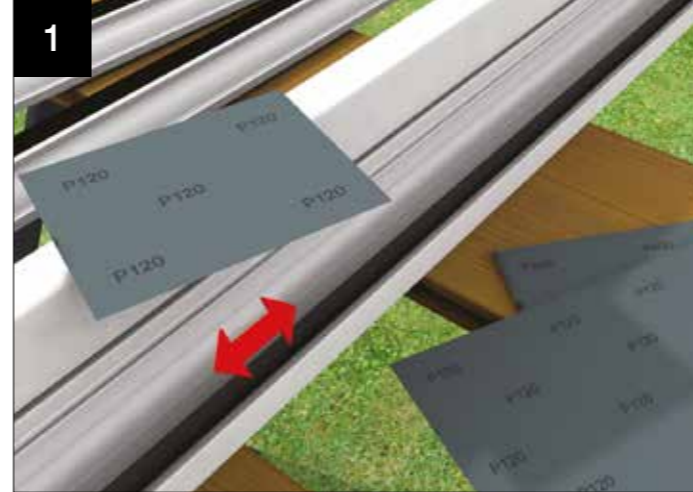


Run a bead of appropriate sealant ensuring a continuous run along the external lower muntin bar. Please see cross section for bead positioning.



Locate the external lower muntin bar with the internal lower muntin bar, knock into place. The lower muntin may need supporting from underneath whilst secured into final position.

CLEANING AND MAINTENANCE



If surface damage is encountered, use 120-360 grit paper to prepare the surface. Wipe clean with white spirit.



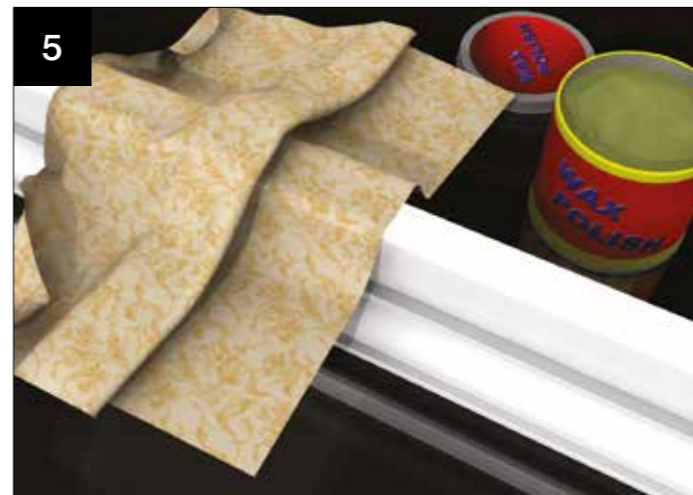
Ensure the surface is dry – apply a thin primer coat using a fine brush.



Finally, apply an air drying top coat with a fine brush.



General cleaning can be undertaken by a wash with warm soapy water.



For added protection, a wax polish can be applied up to twice per year – follow the polish manufacturer's instructions carefully.

PLEASE PASS TO HOMEOWNER

It should be noted that polyester powder coatings are not maintenance free – the extent of cleaning depends upon the local environment and on the attitude of the building owner. Think cars here...if the building owner wants a finish like that, more regular cleaning is needed. All paints will 'chalk' to some extent and there will be a reduction in gloss level over time – this can be restored.

www.ultraframetrade.co.uk

Ultraframe[®]
Transforming light and space

Job No.: 3280 ACG002 12/20 v8

It is Ultraframe's policy to continually seek to improve its products, processes and services, and we reserve the right to change specifications without prior notice. Ultraframe is a trading name of Ultraframe (UK) Limited.