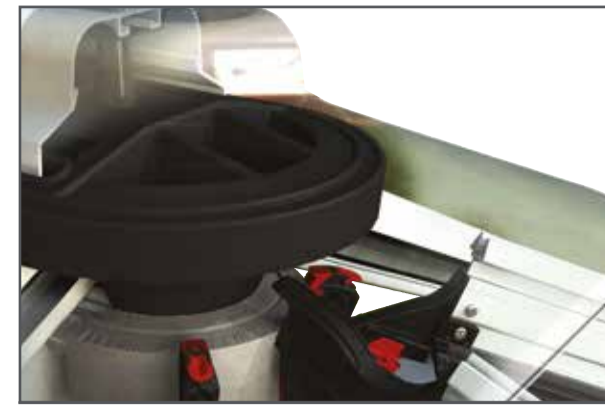


Roof vent

Slimline aluminium roof vent



Hub

Weathering hub offers ultimate protection from wind and rain



Speedlock

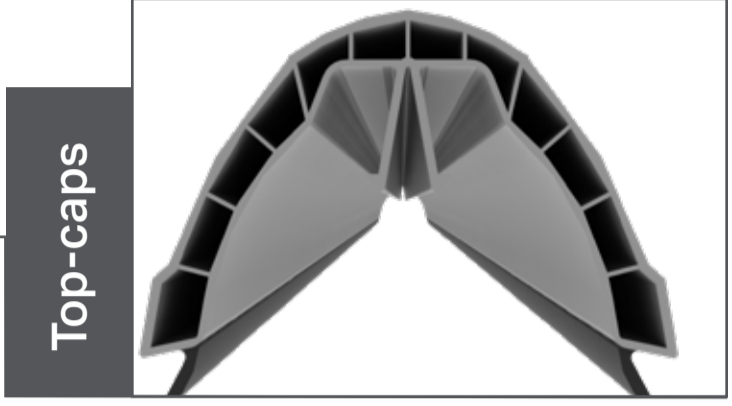
Patented Speedlock ensures bars are secured and glazing is perfectly aligned



BBA Approved conservatory roof system

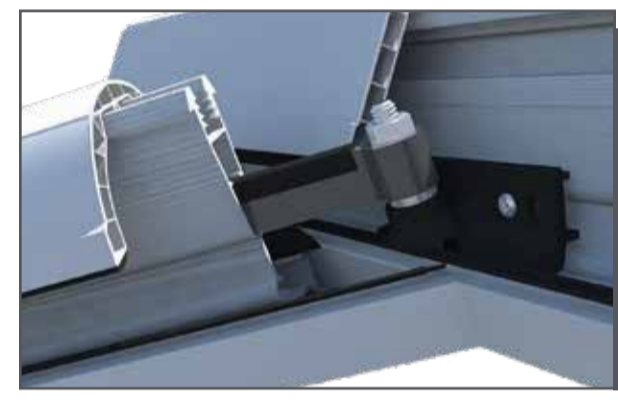
Glassroof

By Ultraframe



Top-caps

Chambered top-caps provide maximum security and thermal efficiency. Available in any RAL colour



Jack rafters

Wind resistant jack rafters - tested in 120mph winds



Profile

Strong 'wineglass' bars engineered to withstand extreme weather conditions for your postcode



Glazing stops

Robust glazing supports prevent glass slippage



Cornice

Optional cornice hides gutters and adds shape to the roofline. 4 designs available



Columns

Optional super-insulated columns



Pelmet

Optional internal pelmet insulates the eaves - a useful place for spotlights or speakers



Twinbolts

Twinbolts deliver super-strong structural joints



Anchor clips

Anchor clips control natural movement for a weathertight seal

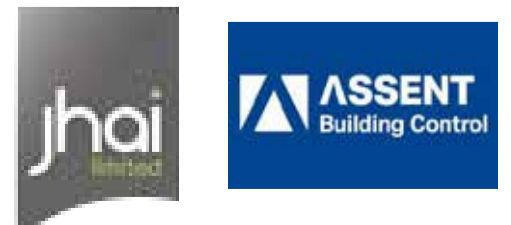


Eaves beam

Optional super duty eaves beam for larger spans



Building Regulation Compliant
Glass Roof is fully Building Regulation compliant and has JHA1 system approval to minimise red tape.



Ultraframe[®]

Transforming light and space